

## CV9601T(S)-X-1F Anti-vandal powerful dual Access Control + T/A System with keypad

CV9601T(S)-X-1F is high level dual access control and time attendance system terminal. It's a contactless reading MIFARE® Secure Sector or read only (UID) device that supports ISO 14443A MIFARE®.

The terminal features with stand-alone mode, network mode via RS485 or build-in TCP/IP. It can automatically switch work mode between Card only, Card or PIN, Card + PIN. Furthermore, the terminal enables to set parameter of valid time for users. With 15 changeable time group (each time group has 8 days including 1 holiday and each day has 5 time schedule), CV9601T(S)-X-1F can meet different regulatory requirements.

The terminal features toggle function, so the door could be opened for a specific period of time and closed by presenting card, it's suitable for frequent access place such as hotel, classroom, hospital, etc. It also features an external reader for anti-passing back (Wiegand port) for high security.

Powerful and friendly application software is offered for access control & time attendance solution with integrated user management, which is designed for single or network management on CV9601T(S)-X-1F Terminal by simple one-click solution to literally get complete monthly T&A report for all users. SDK is also open for customer's further development in short time.

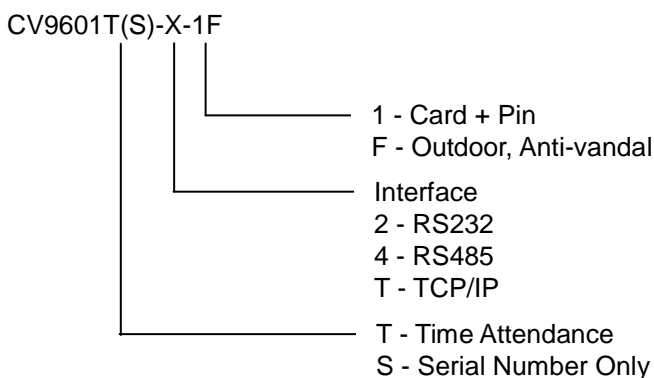
### ➤ The family members are:

- [CV9601T-X-1F](#) Supports MIFARE® Secure Sector & MIFARE® UID
- [CV9601TS-X-1F](#) Supports MIFARE® UID

### Advantages

- ✦ Stand-alone mode and network mode
- ✦ Automatic to switch work mode: Card, Card or Pin, Card + Pin (password length can be set 2~6 digits)
- ✦ Various number of cardholder and events is selectable: (512; 10,000), (2000; 50,000) and (5000; 100,000)
- ✦ Enable to set parameter of valid time for users
- ✦ Changeable 15 time group, each time group has 8 days including 1 holiday and each day has 5 time schedule
- ✦ Guarantee that the record does not lose
- ✦ Vandal resistant for harsh environment
- ✦ Duress alarm in case of emergency
- ✦ 4bit burst input format
- ✦ External reader for anti-passing (Wiegand port)
- ✦ Automatic to identify and receive signal input from wiegand 26/34 interface
- ✦ All I/Os and operating times user keypad programmable
- ✦ Toggle mode of door opening for a specific period of time, suitable for frequently in/out place
- ✦ Housing sabotage alarm and self diagnostics
- ✦ Watch-dog timer & power on reset
- ✦ Adjust Controller time

### Order Code



### Product Image



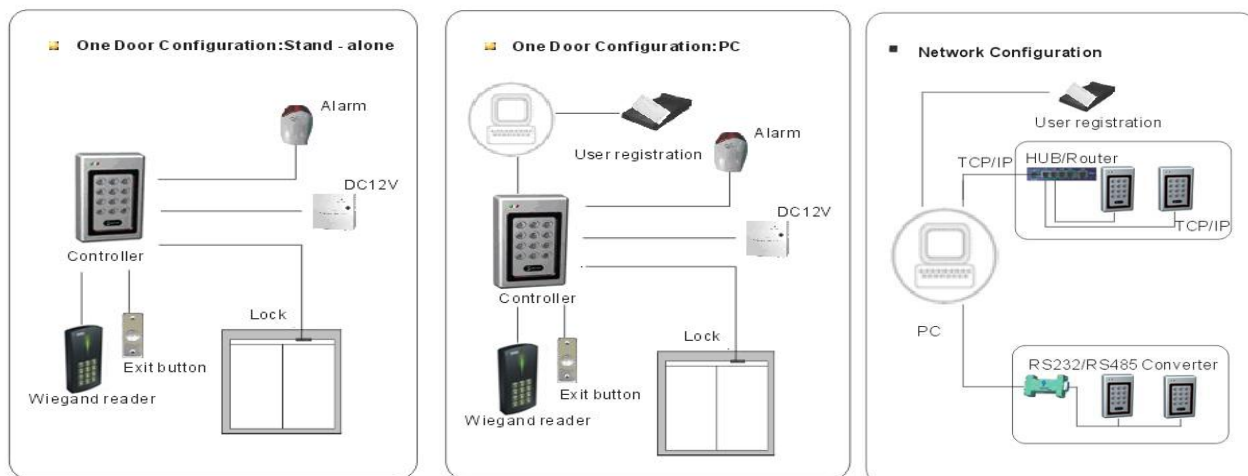
CV9601T(S)-X-1F  
120\*75\*22mm

**Specifications**

Model	CV9601T-X-1F	CV9601TS-X-1F
Supporting card	MIFARE® and other ISO14443A compatible card	
Read and write	Read data from user defined sector of MIFARE® card	Read only UID of MIFARE® and other ISO14443A card
Operation Frequency	13.56MHz	
Power Supply	9V DC (9-24V), <100mA	
Cardholder, Events	(512; 10,000), (2000; 50,000) and (5000; 100,000) is selectable, including one master card With real time clock (RTC)	
Stand alone	Yes	
Network	Yes, via RS485 (up to 98 units) or build-in TCP/IP	
Baud Rate	9600-115200 bit/s (default 9600)	
APB	External Wiegand 26/34 reader	
Operation Mode	Card, Card or Pin, Card + Pin (automatica to switch, password length can be set 2~6 digits)	
Memory	2M Byte EEPROM	
Alarm	1) Door non-closed detection	2) Door broken alarm
	3) Housing sabotage alarm	4) Duress alarm in case of emergency
Keypad	3*4 keypads with backlight	
Input device	2 inputs (exit button, door state sensor)	
Output device	2 relay outputs	
Reading distance	30mm (depending on transponder)	
Indicators	Buzzer and LED	
Housing Material	Zn-Fe alloy	
Indoor / outdoor	Both, potted version (IP65) available on request	
Temperature range	-20°C ~ +60°C / -4°F ~ 140°F	
Relative humidity	10-95% (non condensing)	

Specifications are subject to change without notice

**Configuration**



## Relative Products



### Software Development Kit

IOAccess SDK is software development kit worked with CiVinTec Access Control & TA terminal for second development. It includes API, Host Demo, user manual and program example. It's developed by C++builder developing tool on Windows Operating system and GCC developing tool on Linux OS, compatible to VC,VB/VB.NET,JAVA,C++,C#.NET, DELPHI etc.



### Access Control & Time Attendance Software

- Access Control Software features to control network of Civintec devices by easy connectivity with PC. It's easy operation suitable for small-to-large sized organizations.
- Time Attendance Software is designed for one-click solution to literally get complete monthly T&A reports for all users. Data can be exported for further processing.



### Hardware Testing Package (HTP)

A plug & play Hardware Testing Package (HTP) is provided to ease your fast testing and evaluation.

Package list:

- Testing Board
- Power supplier
- RS232 cable
- Wire cable
- Internet cable
- Testing Cards
- RS232 / RS485 converter



### Relative Hardware

- CV9601T(S)-X-1F Serial Number series can register a few number cards on stand-alone application, and professional desktop reader CN6XX is required for card batch issuing on stand-alone or network application. CN6XX is required for card programming on stand alone or network application
- Full range of cards and tags available to meet complete solution